



# Meet Avior

- ✓ Easy to set up with three base configurations
- ✓ Fine tune and customise key features and settings
- ✓ Connecting Prosthetists and Physios for better outcomes
- ✓ Aids rehabilitation in between clinic sessions
- ✓ Easily adaptable to the wearers needs
- ✓ Designed for today, ready for tomorrow

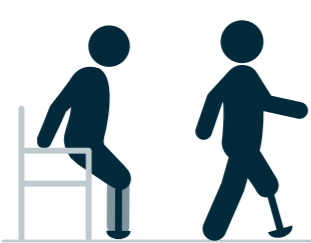
No servicing required for the first 3 years.



## Base Configurations

### LOCK-LOCK

Locked in stance and in swing phase



The **LOCK-LOCK** Base Configuration is ideal for someone new to or building confidence with a prosthesis. It keeps the knee locked while walking or standing for maximum security but allows controlled sitting. The optional stance flexion function provides shock absorption at heel strike, and cushioning on every step. The wearer will feel more confident walking down slopes without the sensation of falling forward or "vaulting" over their leg.

- Often used as the initial setting during rehabilitation to help build wearer confidence
- Allows wearer basic mobility and confidence knowing that the limb will not flex or collapse

Overview	Benefits	Stance Flexion	Swing Extension Control	Standing Support	Dynamic Slope and Stairs Descent	Supported Standing	Supported Sit to Stand	Stumble Recovery	Donning Mode	Wheelchair Mode
		Adjust to 0°, 5° or 10°	N/A	By Default - already Locked in Stance	N/A	Ratchet function (lock)	Adjustable Yield Resistance	N/A	Yes	Yes

### LOCK-FREE

Locked in stance and free in swing phase



As the wearer grows in confidence the Base Configuration can be adjusted to **LOCK-FREE**, keeping the limb locked in stance but free in swing. This allows for a more natural gait, maintains stability and prevents buckling. Stumble recovery is active, providing safety and confidence if there is a stumble. The Swing Extension Control feature is available in this configuration and regulates the swing speed enabling a smooth, full leg extension after heel rise and offers adjustable speed to match the wearer's needs. The optional stance flexion function provides shock absorption at heel strike, and cushioning on every step.

- Helps wearer improve their gait and confidence in walking
- Provides the wearer with optimal stability by remaining locked during stance and free during swing

		Adjust to 0°, 5° or 10°	Select FAST or NORMAL	By Default - already Locked in Stance	N/A	Ratchet function (lock)	Adjustable Yield Resistance	Yes	Yes	Yes
--	--	-------------------------	-----------------------	---------------------------------------	-----	-------------------------	-----------------------------	-----	-----	-----

### YIELD-FREE

Yields in stance phase, free in swing phase



The **YIELD-FREE** Base Configuration is adopted when the wearer can confidently control their prosthesis in both stance and swing. This configuration further improves their gait. Stumble recovery is active in this configuration also giving patients safety and confidence if there is a stumble. The Dynamic Slope and Stair Descent Feature allows wearers to safely and smoothly navigate stairs and slopes.

- Walking step-over-step down slopes and stairs
- Promotes a more natural gait cycle, reducing excessive forces on the sound limb and improving comfort
- Stumble recovery increases safety minimising injury from trips and falls

		N/A	Select FAST or NORMAL	Knee flexion between 0° - 30° Adjustable timing: Normal/Low/Very Low	Adjustable Yield Resistance	Ratchet function (lock)	Adjustable Yield Resistance	Yes	Yes	Yes
--	--	-----	-----------------------	---	-----------------------------	-------------------------	-----------------------------	-----	-----	-----

## Made to Complement



Avalon<sup>K2</sup>



Esprit



Epirus



Navigator

## Indications and Contra-indications

### Indications:

- User bodyweight up to and including 125kg.
- Users who require a prosthetic knee as part of their limb system.
  - This includes users with amputations at the following levels; through knee, above knee or hip disarticulation as well as dysmelia patients with residual limb characteristics corresponding to the previously mentioned amputation sites.
- Unilateral or bilateral requirement.

### Contra-indications:

- Body weight over 125kg.

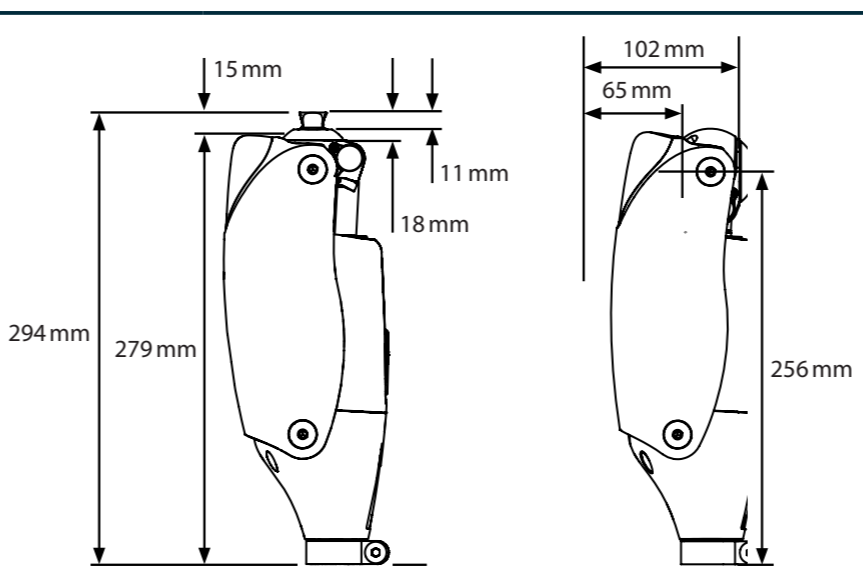
### Wearer Criteria

<b>Minimum Wearer Weight</b>	44kg 97lb 6st 9lbs
<b>Maximum Wearer Weight</b>	125kg 275lb 19st 6lbs
<b>Minimum Wearer Height</b>	150cm 4ft 11"
<b>Activity Level</b>	Predominately K2
<b>Amputation Level</b>	Knee disarticulation and above

## Technical Information

<b>Activity Level</b>	Predominately K2
<b>Colour</b>	Black
<b>Weight</b>	1.39kg/3lbs 1oz
<b>Build Height</b>	294mm
<b>Proximal Adapter</b>	Fixed Pyramid or M36 Thread
<b>Proximal Alignment Attachment</b>	Male Pyramid (Blatchford)
<b>Distal Alignment Attachment</b>	Ø 30mm Tube clamp connector
<b>Knee Flexion Angle</b>	Max. 130 degrees
<b>IP Rating</b>	IP65
<b>Charging Time</b>	From flat to full charge; Typical 4 hours - Maximum 6 hours
<b>Battery Life</b>	2 days normal use
<b>Charger Type</b>	Magnetic USB A
<b>Device Connectivity</b>	Bluetooth®
<b>Programming App</b>	Android and iOS Blatchford app enabled

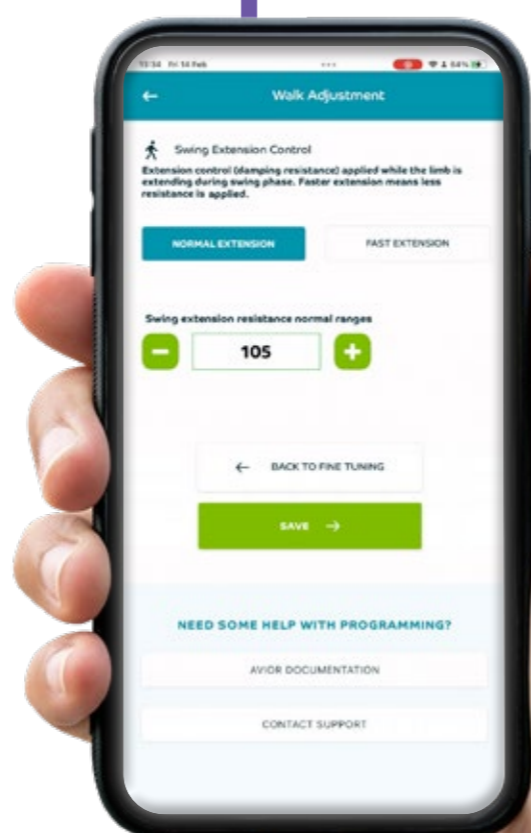
### Build Height



Ordering Information	Part Number	Description
	AVIOR	Avior MPK
	Avior Package 1	Avior + Avalon or Esprit Foot Package
	Avior Package 2	Avior + Navigator or Esprit Foot Package

Accessories	Part Number	Description
	B-0001511	Avior Knee Pad Kit
	B-0001512	Avior Protective Cover
	B-0001513	M36 Adapter Kit
	B-0001514	Flexion Stop Kit
	B-0001515	Clinicians Tool Kit
	B-0001516	USB Charger Cable
	B-0001517	USB Wall Charger With Interchangeable Plug
	B-0001518	Clamp Kit
	B-0001519	Distal Cover Kit
	B-0001507	Avior Accessories Kit (UK)
	B-0001508	Avior Accessories Kit (USA)
	B-0001509	Avior Accessories Kit (EU)
	B-0001510	Avior Accessories Kit (AUS)
	B-0001536	Avior Accessories Kit (Universal)
	AVIOR - WARRANTY 6 YEAR (3+3)	Avior 6 Year Warranty

Warranty Information	Standard Warranty Period - 36 months included.
	Extended 3-year warranty - Available to purchase. Must be purchased within first 12 months.
	Full service will be required between 30-36 months if extended warranty purchased.



Fine-tune and customise key features in our new Blatchford app



Find our more about Avior  
blatchfordmobility.com

**Blatchford**  
Mobility Made Possible